

DESCRIPTION

AMC MODEL SWM-DJV-1DT-2ATT OPTION: 400M13 IS A SINGLE POLE SINGLE THROW, NON-REFLECTIVE/ABSORPTIVE SWITCH MODULE WITH VERY LOW VIDEO TRANSIENT, ULTRA HIGH SPEED, HIGH ISOLATION, AND WITH INTEGRAL TTL DRIVER, DESIGNED FOR 400MHZ TO 13GHZ OPERATION.

SPECIFICATIONS

- FREQUENCY RANGE:400MHz TO 13GHz
- INSERTION LOSS:4.5 dB MAXIMUM
- ISOLATION
400MHz TO 13 GHz:60 dB MINIMUM
- VSWR:2.0:1
- RISE TIME:1nSec TYPICAL, 2nSec MAXIMUM
- FALL TIME:1nSec TYPICAL, 2nSec MAXIMUM
- DELAY ON:12nSec TYPICAL, 15nSec MAXIMUM
- DELAY OFF:12nSec TYPICAL, 15nSec MAXIMUM
- VIDEO TRANSIENT
300MHz BW(400MHz-13GHz) 150mV P-P
20MHz BW(400MHz-13GHz) 50mV P-P
- POWER INPUT:(CW)+17 dBm
- CONTROL:TTL LOGIC "0" = ON
TTL LOGIC "1" = OFF
- POWER SUPPLY:-5V @ 25 mA MAXIMUM
- CONNECTORS:
RF:SMA FEMALE
CONTROL:SOLDER PIN
- SIZE:1.00" (L) x 1.00" (W) x 0.50" (H)
- WEIGHT:1.5 OUNCE TYPICAL

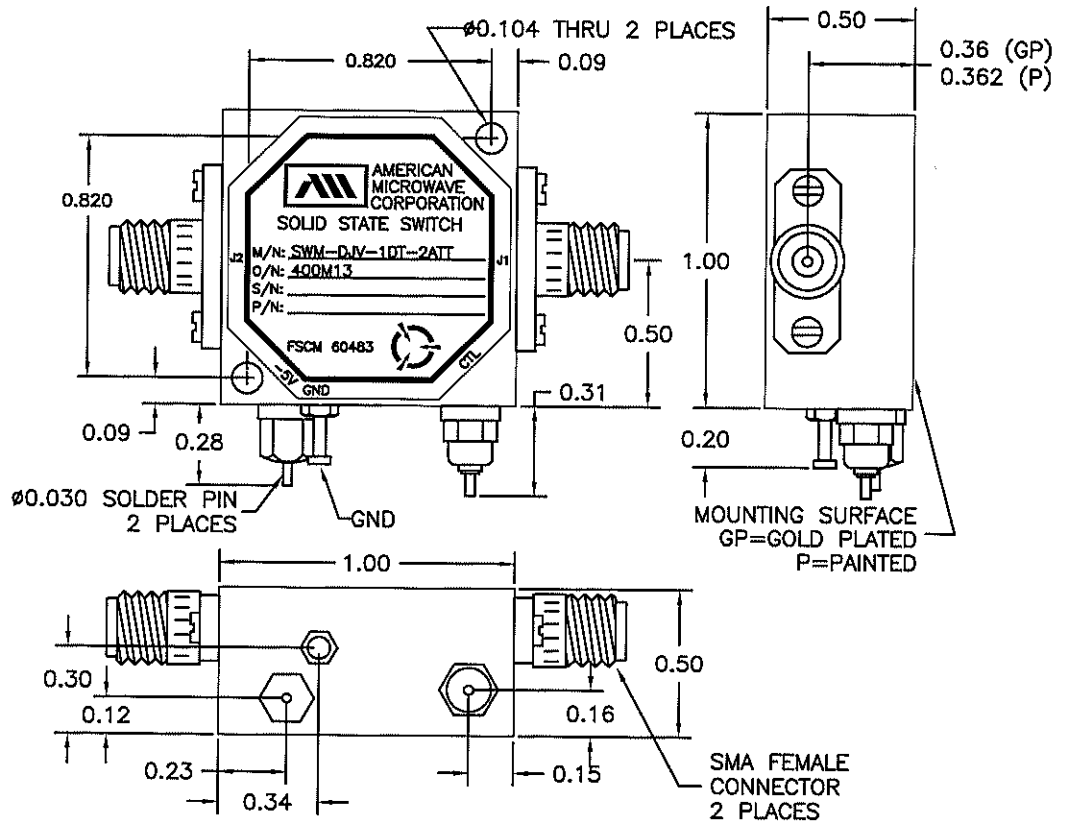
OPTIONS

- 400M13.....FREQUENCY RANGE 400MHz TO 13GHz

ENVIRONMENTAL RATINGS

- TEMPERATURE:-55°C TO +85°C (OPERATING)
-65°C TO +125°C (STORAGE)
- HUMIDITY:MIL-STD-202F, METHOD 103B COND. B
- SHOCK:MIL-STD-202F, METHOD 213B COND. B
- VIBRATION:MIL-STD-202F, METHOD 204D COND. B
- ALTITUDE:MIL-STD-202F, METHOD 105C COND. B
- TEMPERATURE CYCLE:MIL-STD-202F, METHOD 107D COND. A

NOTE: SPECIFICATIONS WILL VARY OVER OPERATING TEMPERATURE
NOTE: THE ABOVE SPECIFICATIONS ARE SUBJECT TO CHANGE OR REVISION



ALL DIMENSIONS ARE IN INCHES
TOLERANCES:
X.XX ±0.020
X.XXX ±0.010

REVISIONS				
ZONE	REV.	DESCRIPTION	DATE	APPROVED
	-	ORIGINAL RELEASE JOB# 607137-1	9/20/08	
	A	ECN# 09-007	2/5/09	

AMERICAN MICROWAVE CORPORATION

7311-G GROVE ROAD
FREDERICK, MARYLAND 21704 USA
TEL: 301-662-4700 FAX: 301-662-4938
WEBSITE: www.americanmicrowavecorp.com
E-MAIL: sales@americanmicrowavecorp.com
ISO 9001:2000 CERTIFIED

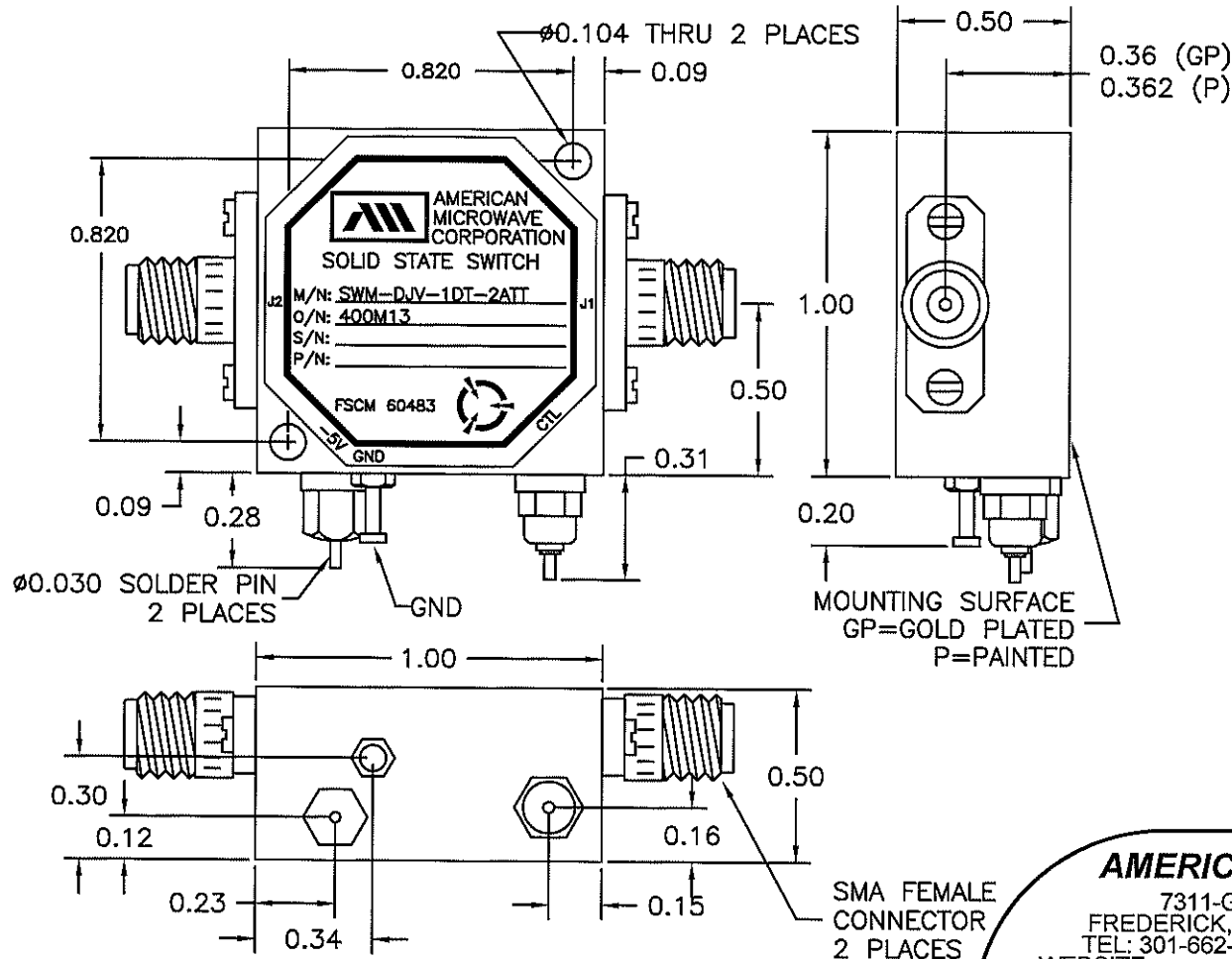


APPROVALS		DATE	TITLE		
DRAWN <i>MFB</i>		9/20/08	PRODUCT FEATURE SWM-DJV-1DT-2ATT OPTION: 400M13		
CHECKED <i>[Signature]</i>		2/5/09	400MHz-13GHz SINGLE POLE SINGLE THROW SWITCH		
ISSUED			SIZE	FSCM NO.	DWG NO.
			A	60483	100-7706
			SCALE N:S	SHEET 1 OF 3	

DESCRIPTION

AMC MODEL SWM-DJV-1DT-2ATT OPTION: 400M13 IS A SINGLE POLE SINGLE THROW, NON-REFLECTIVE/ABSORPTIVE SWITCH MODULE WITH VERY LOW VIDEO TRANSIENT, ULTRA HIGH SPEED, HIGH ISOLATION, AND WITH INTEGRAL TTL DRIVER, DESIGNED FOR 400MHZ TO 13GHZ OPERATION.

REVISIONS				
ZONE	REV.	DESCRIPTION	DATE	APPROVED
	-	ORIGINAL RELEASE JOB# 607137-1	9/20/06	
	A	ECN# 09-007	2/5/09	<i>[Signature]</i>



MECHANICAL OUTLINE

AMERICAN MICROWAVE CORPORATION

7311-G GROVE ROAD
 FREDERICK, MARYLAND 21704 USA
 TEL: 301-662-4700 FAX: 301-662-4938
 WEBSITE: www.americanmicrowavecorp.com
 E-MAIL: sales@americanmicrowavecorp.com
 ISO 9001:2000 CERTIFIED



ALL DIMENSIONS ARE IN INCHES
 TOLERANCES:
 X.XX ±0.020
 X.XXX ±0.010

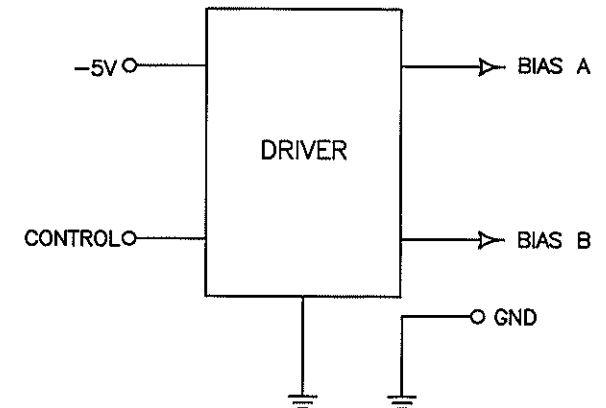
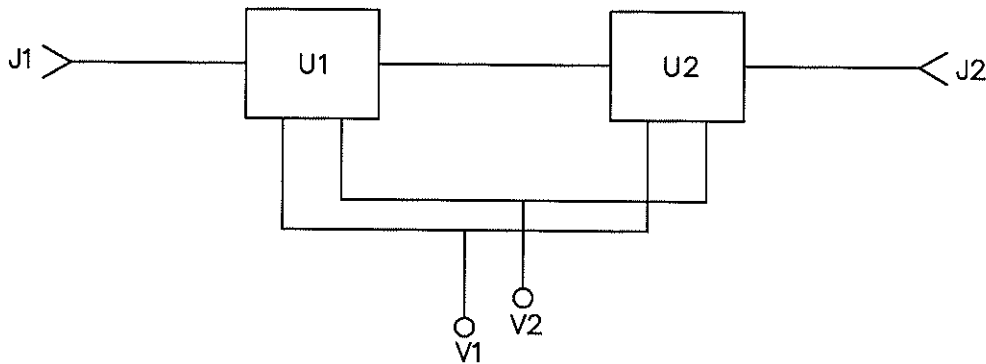
APPROVALS		DATE	TITLE		
DRAWN	<i>MFB</i>	9/20/06	MECHANICAL OUTLINE SWM-DJV-1DT-2ATT OPTION: 400M13		
CHECKED	<i>[Signature]</i>	2/5/09	400MHZ-13GHZ SINGLE POLE SINGLE THROW SWITCH		
ISSUED			SIZE	FSCM NO.	DWG NO.
			A	60483	100-7706
			SCALE	N:S	SHEET 2 OF 3
					REV. A

DESCRIPTION

AMC MODEL SWM-DJV-1DT-2ATT OPTION: 400M13 IS A SINGLE POLE SINGLE THROW, NON-REFLECTIVE/ABSORPTIVE SWITCH MODULE WITH VERY LOW VIDEO TRANSIENT, ULTRA HIGH SPEED, HIGH ISOLATION, AND WITH INTEGRAL TTL DRIVER, DESIGNED FOR 400MHZ TO 13GHZ OPERATION.

REVISIONS				
ZONE	REV.	DESCRIPTION	DATE	APPROVED
	-	ORIGINAL RELEASE JOB# 607137-1 EMT, CA	9/20/06	
	A	ECN# 09-007	2/5/09	<i>[Signature]</i>

FUNCTIONAL BLOCK DIAGRAM



CONFIDENTIAL AND PROPRIETARY

AMERICAN MICROWAVE CORPORATION

7311-G GROVE ROAD
 FREDERICK, MARYLAND 21704 USA
 TEL: 301-662-4700 FAX: 301-662-4938
 WEBSITE: www.americanmicrowavecorp.com
 E-MAIL: sales@americanmicrowavecorp.com
 ISO 9001:2000 CERTIFIED



APPROVALS		DATE	TITLE		
DRAWN <i>MGR</i>		9/20/06	FUNCTIONAL BLOCK DIAGRAM SWM-DJV-1DT-2ATT OPTION: 400M13		
CHECKED <i>[Signature]</i>	2/5/09		SIZE	PSCM NO.	DWG NO.
ISSUED			A	60483	100-7706
			SCALE	N:S	SHEET 3 OF 3